

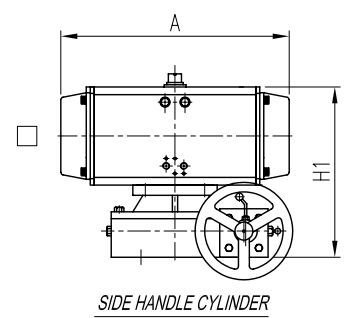
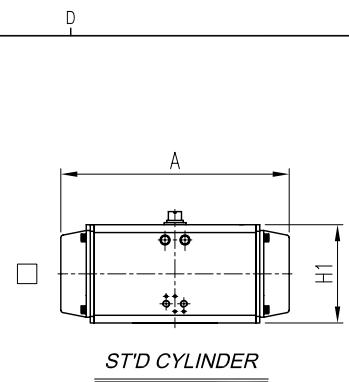
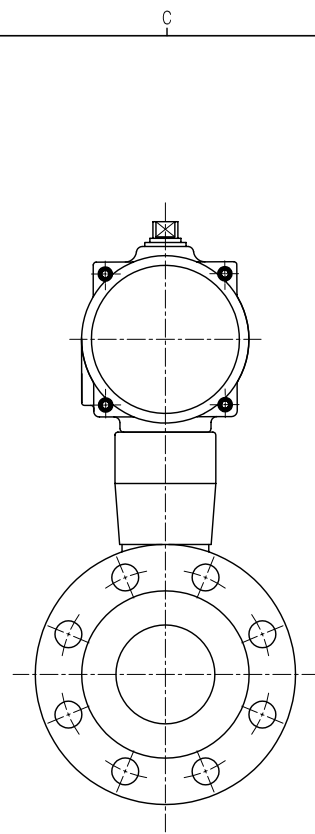
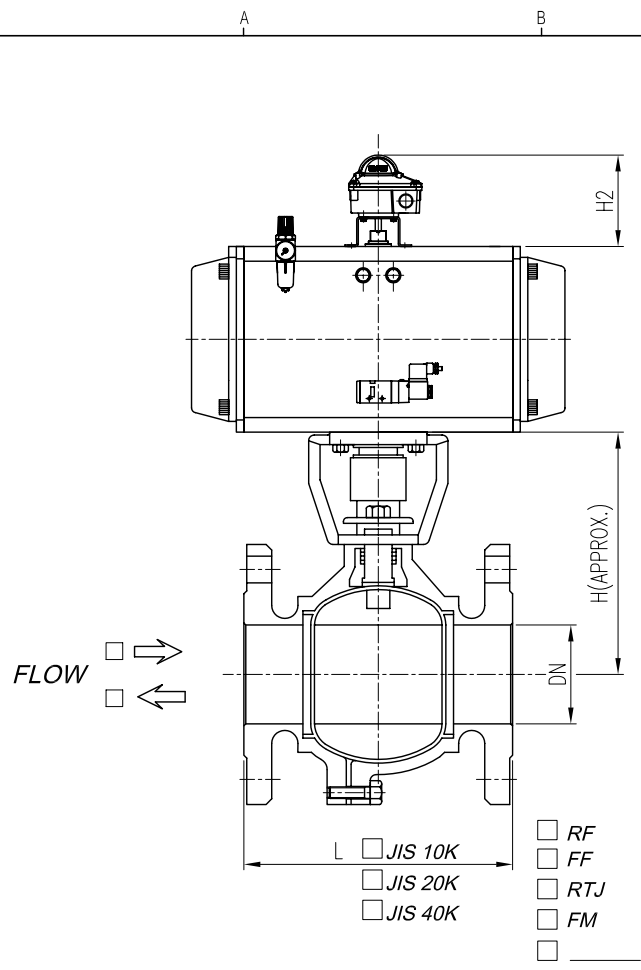
이 도면은 주식회사 코펙스의 저작권과 상표권을 보호받으며, 무단으로 복제, 배포, 또는 다른 용도로 사용될 수 없습니다. 이 도면은 주식회사 코펙스의 저작권과 상표권을 보호받으며, 무단으로 복제, 배포, 또는 다른 용도로 사용될 수 없습니다.

2

3

4

5



**2. DIMENSIONS (mm)**

VALVE SIZE	BODY		ACTUATOR				ACCESSORIE
			H1		A	MODEL (SR TYPE)	
			ST'D	SIDE H/W			
15A	108	80	72	171	184	RT020	144(ITS100) 172(ITS300) 159(YT1000R)
20A	117	92	88	187	184	RT035	
25A	127	110	100	199	184	RT050	
32A	140	113	109	208	204	RT075	
40A	165	121	117	216	262	RT110	
50A	178	130					
65A	190	166	133	232	268	RT160	
80A	203	184	155	272	296	RT255	
100A	229	248	172	296	390	RT435	

FLANGE CODE JIS10K

FLANGE CODE JIS20K

VALVE SIZE	BODY
DN(mm)	L
15A	140
20A	152
25A	165
32A	178
40A	190
50A	216
65A	241
80A	283
100A	305

NO.	DATE	REVISION & DESCRIPTION	SIGNATURE	
			REVIEWED	CHECKED
△				
△				

**1. SPECIFICATIONS**

MODEL NO.	KBV100 SERIES		
MATERIAL	BODY	<input type="checkbox"/> SCPH2(WCB) <input type="checkbox"/> SCPH21 <input type="checkbox"/> SCPH32	<input type="checkbox"/> SCS14 <input type="checkbox"/> SCS13(CF8)
	SEAT RING	<input type="checkbox"/> 304 SS <input type="checkbox"/> 410 SS <input type="checkbox"/> 304L + STF	<input type="checkbox"/> 304 + PTFE <input type="checkbox"/> C-TFE <input type="checkbox"/> PTFE
	PLUG/BALL	<input type="checkbox"/> SCPH2(WCB) <input type="checkbox"/> SCPH21 <input type="checkbox"/> SCPH32	<input type="checkbox"/> SCS14 <input type="checkbox"/> SCS13(CF8)
	STEM	<input type="checkbox"/> 316 SS <input type="checkbox"/> 410 SS <input type="checkbox"/> 304 SS	
ACCESSORY	PACKING	<input type="checkbox"/> V-PTFE <input type="checkbox"/> GRAPHITE	
	GASKET	<input type="checkbox"/> 304 + GRA. <input type="checkbox"/> PTFE <input type="checkbox"/> GRAPHITE	
		<input type="checkbox"/> AIR SET <input type="checkbox"/> E/P <input type="checkbox"/> P/P <input type="checkbox"/> SOL. V/V <input type="checkbox"/> LOCK-UP V/V	<input type="checkbox"/> VOLUME BOOSTER <input type="checkbox"/> LIMIT SWITCH : <input type="checkbox"/> OPEN <input type="checkbox"/> CLOSE
		<input type="checkbox"/> POSITION TRANSMITTER <input type="checkbox"/> MASTER VALVE	
FAILURE MODE	<input type="checkbox"/> CLOSE <input type="checkbox"/> OPEN <input type="checkbox"/> LOCK		
TAG NO.			

<b>KOPECS KOPECS CO., LTD.</b>				SCALE	NS	PROJECTION	
TITLE		- PLANT		SIZE	A2	DIMENSION	mm
		- FACILITY		EQUIPMENT			
		KBV-100 SERIES		SUPPLIER			
		BALL VALVE		NO.			
KOPECS	SIGNATURE	DRAWN	CHECKED	REVIEWED	APPROVED	KOPECS DWG. NO.	KP-C1006-01
		D.H.JEONG	S.CJIN	I.S.KO	G.M.CHO		
DATE	2008.08.27	2008.08.27	2008.08.27	2008.08.27			

# KBV100 Series

## GENERAL BALL VALVE



### How to order

1. VALVE STYLE		2. END CONNECTION			3. RATING			4. BODY SIZE(mm)							
100	100	R	1	015	2	3	R	P	EASBL	CODE	mm	CODE	mm	CODE	mm
100	GENERAL SERVICE SOFT SEAT	P	PT THREAD	5	KS(JIS) 5K	A	ANSI 125Lb			015	25	125	600	600	600
200	METAL SEATED (SIDE ENTRY)	R	RF FLANGED	1	KS(JIS) 10K	B	ANSI 150Lb			020	32	150	700	700	700
300	ECCENTRIC	U	UNION	7	KS(JIS) 16K	D	ANSI 250Lb			032	32	200	750	750	750
400	SEGMENT ("V" NOTCH)	F	FF FLANGED	2	KS(JIS) 20K	E	ANSI 300Lb			040	40	250	800	800	800
500	METAL SEATED (TOP ENTRY)	B	BUTT WELDING	3	KS(JIS) 30K	F	ANSI 400Lb			050	50	300	900	900	900
600	JACKET (SEMI)	C	TRY CLAMP	4	KS(JIS) 40K	H	ANSI 600Lb			065	65	350			
700	JACKET (FULL)	S	SOCKET WELDING	6	KS(JIS) 63K	K	ANSI 900Lb			080	80	400			
800	MULTI WAY	T	RING JOINT	N	DIN PN16	L	ANSI 1500Lb			100	100	450			
900	SPECIAL CONDITION	N	NPT THREAD	P	DIN PN25	M	ANSI 2500Lb								
		L	LARGE GROOVE	Q	DIN PN40										
		M	MALE&FEMALE	R	DIN PN63										
		W	WAFER(BOLTED)	S	DIN PN100										

5. BODY MATERIAL		6. DISC MATERIAL		7. SEAT MATERIAL		8. ACTUATOR	
1	2	3	4	5	6	7	8
1	CAST IRON (GC 200)	3	SSC 13 (SUS 304)	3	SUS 304+STELLITE	L	LEVER
2	CAST STEEL (SCPH 2)	4	SSC 14 (SUS 316)	4	SUS 316+STELLITE	G	GEAR BOX
3	SSC 13 (SUS 304)	5	SSC 19 (SUS 304L)	5	SSC 19 (SUS 304L)+STELLITE	B	BEAR STEM
4	SSC 14 (SUS 316)	6	SSC 16 (SUS 316L)	6	SSC 16 (SUS 316L)+STELLITE	P	PNEUMATIC CYLINDER
5	SSC 19 (SUS 304L)	7	HASTELLOY-C	7	HASTELLOY-C	M	ELECTRO MOTOR
6	SSC 16 (SUS 316L)	8	TITANIUM	8	TITANIUM	H	HYDRO CYLINDER
7	HASTELLOY-C	9	SSC 13 (SUS 304)+H.Cr	9	SUS 310S+NCM	9. ACCESSORY	
8	TITANIUM	A	SSC 14 (SUS 316)+H.Cr	E	SDV 253MA+ NCM	E	E/P POSITIONER
9	SUS 310S	B	SUS 316+STELLITE	N	PFA	P	P/P POSITIONER
		D	BRONZE CAST (BC 6)	P	PTFE	S	SOLENOID VALVE
		E	SUS 310+NCM	R	R.TFE	L	LIMITS SWITCH
		F	SDV 253MA+ NCM	C	C.TFE	A	FILTER & REGULATOR
						B	BOOSTER RELAY
						U	LOCK-UP VALVE